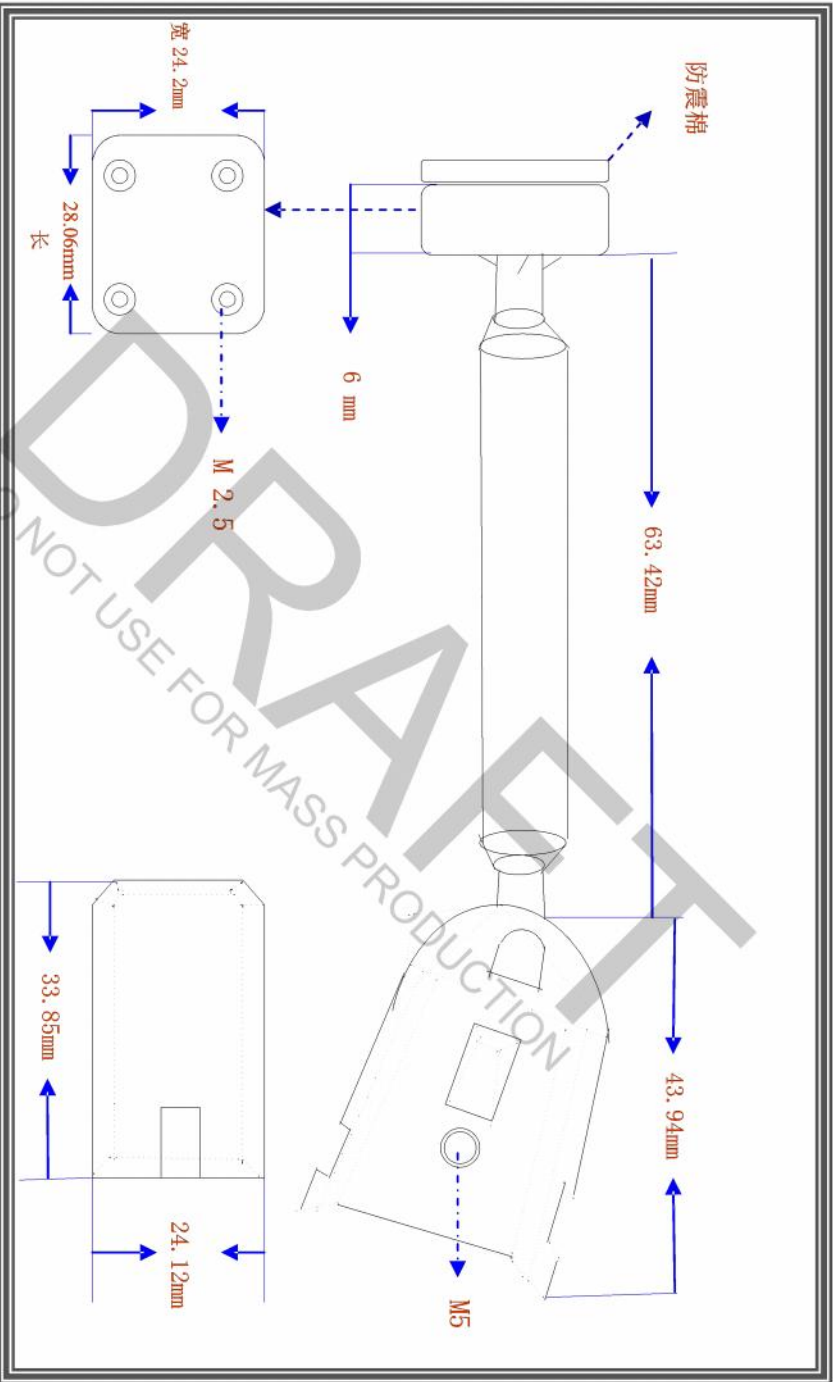


Revision Notes:		
Checked By: -	Approved By: -	Date Released: -



- NOTES:
1. 2D DRAWING TAKEN FROM THE SUPPLIER DRAWING - DRAWING TO BE USED FOR REFERENCE ONLY.
 2. ORIGINAL DRAWING SUPPLIED BY MANUFACTURING ASSEMBLY PLANT.
 3. MANUFACTURING ASSEMBLY PLANT TO MANAGE AND CONTROL BRACKET QUALITY.
 4. BRACKET FINISH IS BLACK SPRAY.

PROPRIETARY NOTICE
 THIS DESIGN AND TECHNICAL INFORMATION APPEARING ON THIS DRAWING IS THE PROPERTY OF BRIGADE ELECTRONICS, AND IS DISCLOSED IN CONFIDENCE. IT IS NOT TO BE COPIED, REPRODUCED, REVEALED TO OR APPROPRIATED BY OTHERS, EITHER IN WHOLE OR IN PART WITHOUT THE EXPRESS WRITTEN CONSENT OF BRIGADE ELECTRONICS.

BRIGADE
 www.brigade-electronics.com

Assembly Pt Approval		Approved by S.MATTHEWS		Checked by LBRAR		Drawn by M.BUTLER	
Angle of Projection		Units mm	Scale N/A	Released 00/00/00	Assembly Ref GT-H5006-H-WS-BKT		
Third Angle		Status DRAFT	VBV-24.3M-WS-BKT			Part No 4166	
		BE-002040-00-12					